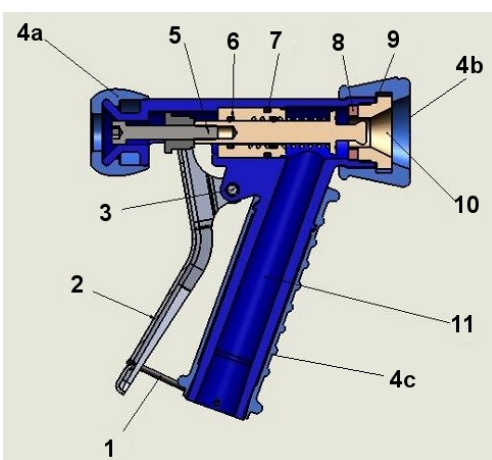


SPECIFICATIONS

**ARTICLE**Designation : **Ecojet Light washing gun**

Code bobet :

17537 : White cover**17538 : Blue cover**Selling Unit : **Unit****CHARACTERISTICS**

ECOJET WASHING GUN, SERIES LIGHT (plastic Ecojet with front, back and handle protection)

- The washing gun Ecojet enables very efficient washing using a minimum amount of water.
- The user may adjust the flow pressure by simply pressing the lever.
- The water automatically stops as soon as the user stops pressing the lever avoiding wastage.
- The anti-shock and insulating rubber cover protects the hands from hot water.
- The washing gun Ecojet is especially adapted to the dairies, slaughterhouses, meat industries...

- The washing gun Ecojet Light does not include coupling. A hose coupling can fit : D.15 mm (Code Bobet 9374) or D.19 mm (Code Bobet 9356)

DESCRIPTION :

Maximum temperature : 85°C

Maximum Pressure : 10 bars

Average Flow : Under 4 bars : 2.3 m3/h

Weight : 390 (w/o coupling) g

SPARE PARTS :

- Code Bobet 17088 : Maintenance kit enables an easy maintenance of your washing gun. It contains every seals and the main wear pieces (Rep 3, 5, 6, 7, 8, 9, 10)
- Code Bobet 17089 : Seals kit contains every seams (Rep 6, 7, 8, 9)

Rep. ()	Designation ()	Code Bobet ()
1	Locking ring	17580
2	Lever	9358
3	Lever arm screw	9359

Rep. ()	Designation ()	Code Bobet ()
4a	Back cover blue	17919
4b	Front cover blue	17922
4c	Handle cover blue	17923
4a	Back cover white	17920
4b	Front cover white	17921
4c	Handle cover white	17924
5	Moving parts set	17938
6	Small O-ring	□
7	O-ring	9363
8	Valve seal	9364
9	Nozzle seal	9365
10	Nozzle head	17773
11	Plastic body	