

SPECIFICATIONS

ARTICLE

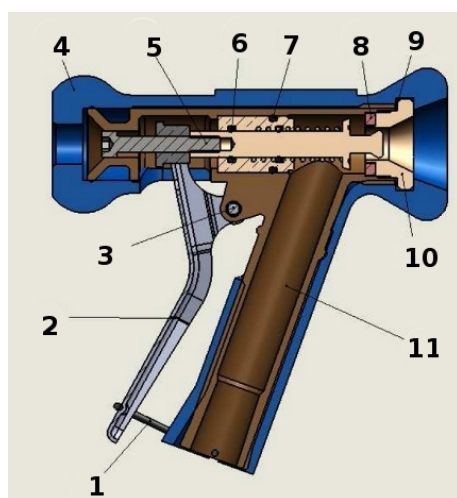
Designation : **Ecojet washing gun with large flow**

Code bobet : **17446 : Blue cover**

Selling Unit : **Unit**



CHARACTERISTICS



- The Ecojet washing gun enables very efficient washing using a minimum amount of water.
- The user may adjust the flow pressure by simply pressing the lever.
- The water automatically stops as soon as the user stops pressing the lever avoiding wastage.
- The anti-shock and insulating rubber cover protects the hands from hot water.
- The Ecojet washing gun is especially adapted to the dairies, slaughterhouses, meat industries...
- The washing gun Ecojet does not include coupling. A hose coupling can fit
 - * D.15 mm (Code Bobet 9374)
 - * D.19 mm (Code Bobet 9356)

DESCRIPTION :

Maximum temperature : 90°C

Maximum Pressure : 25 bars

Average Flow : Under 4 bars : 3 m3/h

Weight : (No coupling): 917 g

SPARE PARTS :

- Code Bobet 17088 : Maintenance kit enables an easy maintenance of your washing gun. It contains every seams and the main wear pieces (Rep 3, 5, 6, 7, 8, 9, 10)

STANDARDS :

Rep. ()	Designation ()	Code Bobet ()
1	Locking ring	17580
2	Lever	9358
3	Lever arm screw	9359
4	Blue protective cover	4333

Rep. ()	Designation ()	Code Bobet ()
5	Moving parts set	17938
6	Small O-ring	□
7	O- ring	9363
8	Seam valve	9364
9	Nozzle seam	□
10	Nozzle head	
11	Bronze body	