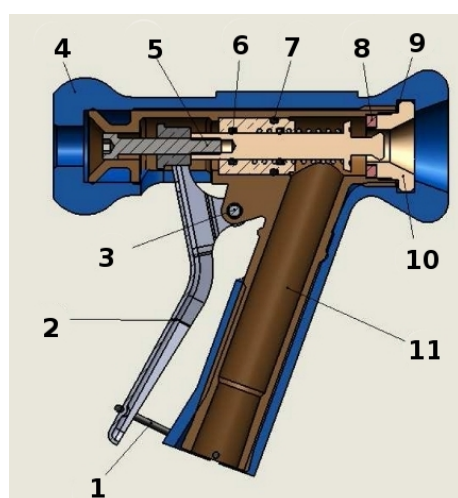


SPECIFICATIONS

**ARTICLE**Designation : **Ecojet washing gun**

Code bobet :

17292 : White cover**17293 : Blue cover****17447 : Red cover**Selling Unit : **Unit****CHARACTERISTICS**

- The Ecojet washing gun enables very efficient washing using a minimum amount of water.
- The user may adjust the flow pressure by simply pressing the lever.
- The water automatically stops as soon as the user stops pressing the lever avoiding wastage.
- The anti-shock and insulating rubber cover protects the hands from hot water.
- The Ecojet washing gun is especially adapted to the dairies, slaughterhouses, meat industries...
- The washing gun Ecojet does not include coupling. A hose coupling can fit
 - * D.15 mm (Code Bobet 9374)
 - * D.19 mm (Code Bobet 9356)

DESCRIPTION :**Maximum temperature :** 90°C**Maximum Pressure :** 25 bars**Average Flow :** Under 4 bars : 2.3 m3/h**Weight :** (No coupling): 917 g**SPARE PARTS :**

- Code Bobet 17088 : Maintenance kit enables an easy maintenance of your washing gun. It contains every seals and the main wear pieces (Rep 3, 5, 6, 7, 8, 9, 10)
- Code Bobet 17089 : Seals kit contains every seams (Rep 6, 7, 8, 9)

STANDARDS :

Rep. ()	Designation ()	Code Bobet ()
1	Locking ring	17580
2	Lever	9358
3	Lever arm screw	9359

Rep. ()	Designation ()	Code Bobet ()
4	Protective rubber cover white	9360
4	Protective rubber cover blue	4353
4	Protective rubber cover red	17932
5	Moving parts set	17938
6	Small O-ring	
7	O-ring	9363
8	Valve seal	9364
9	Nozzle fiber seal	9365
10	Nozzle head	17773
11	Bronze body	