

SPECIFICATIONS

ARTICLE

Designation : **Stainless steel automatic hose drum**

Code bobet :

21501 : Drum M M

| **21568 : Hanger for 21500**

21500 : Drum M F

| **21569 : Hanger for 21501**

21622 : Stopper for 21500

| **23193 : Entry adapter 21501**

23659 : Stopper for 21501

Selling Unit : **Unit**



Non-contractual pictures

CHARACTERISTICS



En option : support
inox code 21568 pour
enrouleur 21500



En option : support
inox code 21569 pour
enrouleur code 21501

- Save time
- Save money
- Increased safety
- Long hose durability
- Delivered with a hose stopper
- Caution : Hose drum sold alone (i.e. without the hose which is to be separately ordered)

ADVANTAGES :

DIMENSIONS:

Code 21500 (small model - Capacity : 17 meters of hose D.12)

* Maximum pressure : 200 bar

* Inlet ½''(15x21) male. Outlet ½''(15x21) female

To be used with the coupling, barbed adapter D.15 male 15x21 : code BOBET 4253

Code 21501 (big model - Capacity : 20 meters of hose D.15 and D.19)

* Maximum pressure: 200 bar

* Inlet 1''(26x34) male. Outlet ¾''(20x27) male

* Spring capacity : 20 meters max.

APPLICATIONS :

For washing, cleaning, rinsing in food industries, hospitals, kitchens and communities, catering, supermarkets...

ACCESSORIES :

- You can fit a wall hanger, swinging, in stainless steel

* Code BOBET 21568 for the hose drum code 21500. Overall dimensions : 250x210x125 mm

* Code BOBET 21569 for the hose drum code 21501. Overall dimensions : 390x245x230 mm

- For the hose drum code 21500:

* Possibility to fit a hose stopper (code Bobet 21622)

* Spare part: Swivel stainless steel coupler 15x21 MALE Diam. 12 (rep. 24 on the on complete diagram) = code Bobet 23360

- For the hose drum code 21501 :

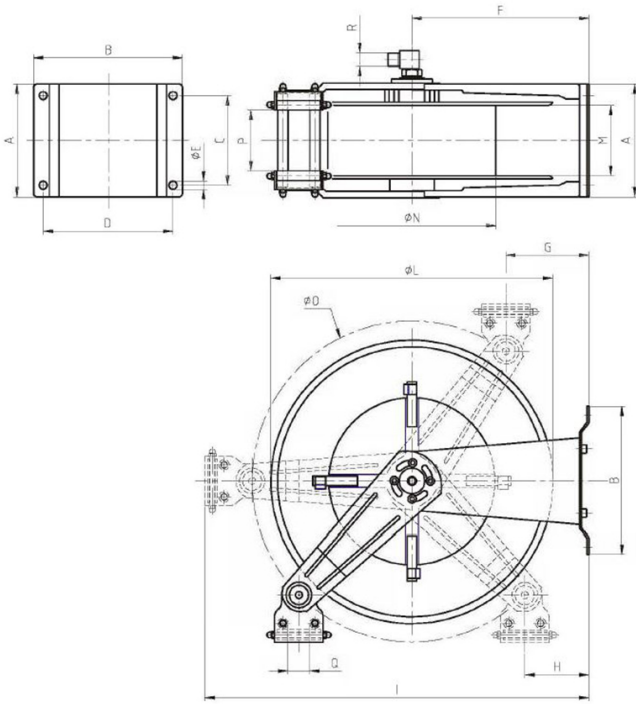
* Possibility to fit a hose stopper (code Bobet 23659)

* Stainless steel barbed adapter D.19 Female 26x34 code 23193 (it is to connect the watering place to the hose)

drum 21501

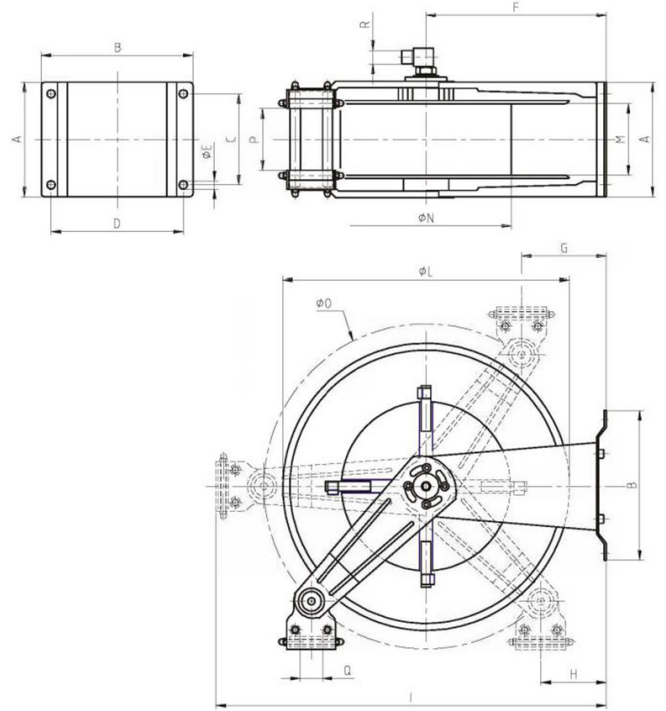
* Spare part: 90° swivel stainless steel coupler 26x34 MALE Diam. 19 = code Bobet 23361

Dimensions code 21501



Art.	A	B	C	D	E	F	G	H	I	L	M	N	O	P	Q	R
21501	310	295	280	263	13	315	120	107	700	540	135	310	580	105	43	1" M

Dimensions code 21500



Art. Code	A	B	C	D	E	F	G	H	I	L	M	N	O	P	Q	R
21500	210	235	180	204	13	262	50	50	560	430	145	260	460	120	40	½"