

SPECIFICATIONS

ARTICLE

Designation : **Insert stainless steel**

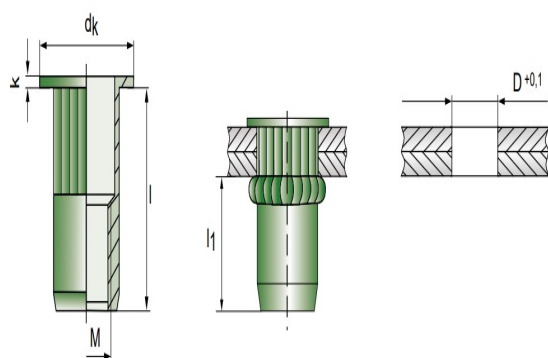
Code bobet : *See table below*

Selling Unit : **Hundred**



Non-contractual pictures

CHARACTERISTICS



- Blind rivet nut, 304 stainless steel
- Flat cylindrical head (coll. cyl.) or flush cylindrical (aff. cyl.) or flush hexagonal (aff. hexa.)
- Notched cylindrical body
- Through tapping
- Available in different sizes

Designation	g (mm)	*Perçage support* (mm)	d (mm)	dk (mm)	l (mm)	k (mm)	l1 (mm)	Code Bobet
Coll. cyl. M5	0,5 - 3,0	7	7	10	12	1	8.5	7182
Coll. cyl. M6	0,5 - 3,0	9	9	12	15	2	10	7183
Coll. cyl. M8	0,5 - 3,0	11	11	15	16	2	12	7185
Coll. cyl. M10	1,0 - 3,5	13	13	17	19	2	14	7191
Aff. cyl. M3	1,0 - 2,3	5	5	6	8	0	4.4	2971
Aff. cyl. M4	1,0 - 2,3	6	6	7	10	0	6	2972
Aff. cyl. M5	1,0 - 3,5	7	7	8	13	0	7.9	2973
Aff. cyl. M6	1,0 - 3,5	9	9	10	14	0	8.3	2974
Aff. hexa. M3	1,0 - 2,3	5	5	6	8	0	4.4	21090
Aff. hexa. M4	1,0 - 2,3	6	6	7	10	0	6	21091
Aff. hexa. M4	1,8 - 3,0	6	6	7	10	0	5.5	21092
Aff. hexa. M5	0,5 - 2,5	7	7	8	11	0	6.4	21093
Aff. hexa. M6	1,5 - 3,5	9	9	10	14	0	8	21094
Aff. hexa. M8	1,0 - 3,0	11	11	12	16	0	10.3	21095