

SPECIFICATIONS

ARTICLE

Designation : **Stainless steel hose holder small model**

Code bobet : **8491**

Selling Unit : **Unit**



Non-contractual pictures

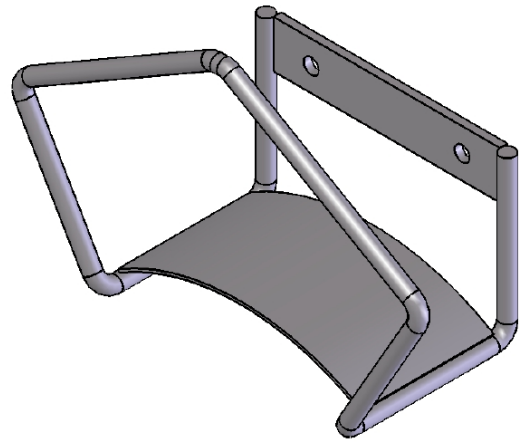
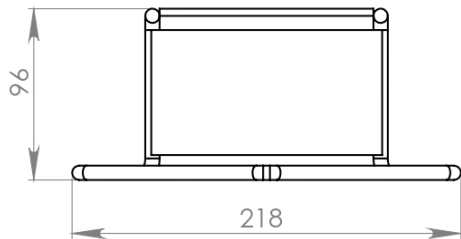
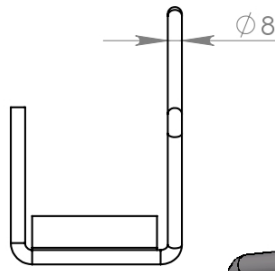
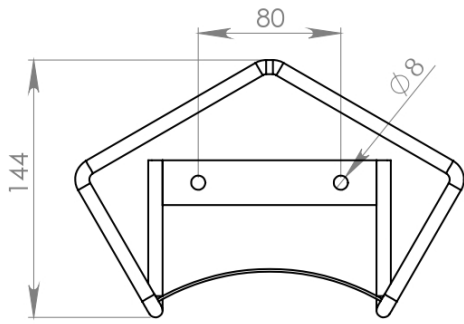
CHARACTERISTICS

- Stainless steel AISI 1.4307 (304L)
- Wall mounted
- Overall dimensions : Length 218 x Depth 96 x Height 144 mm
- Can hold around 15 meters of hose D.19 mm
- Three other available models :
 - * Code 555 (medium model)
 - * Code 10000 (large model)
 - * Code 10525 (large model in stainless steel wire)
- Wire diameter : 8 mm
- Fixing center distance : 80 mm

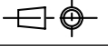
ALIMENTARITY :

To ensure durability, our products are manufactured in austenitic stainless steel (food grade approved), standard AISI 1.4307 (304L).

Manufactured in our own Production Department under protected atmosphere and in accordance with the welding process "T.I.G".



Ce document est la propriété exclusive de BOBET MATERIEL, il ne peut être reproduit sans autorisation écrite

| | | | | |
|--|--|--------------------------|-----------|---|
| BOBET <i>matériel</i> R.N. 23 " Le poteau" 72470 CHAMPAGNE Tél. 02.43.74.33.63 Fax: 02.43.74.33.76 | Matière: Inox 1.4307 (304L) | Caractéristiques : | Nb.: 1 | Affaire: 8491 |
| | Support tuyau inox PM Code article: 8491 | | | OF.: Indice: Echelle: 1:3 Date: 27/12/2012 Nom: RIBOT A. Masse: 500.5407 g |
|  | A4 | Finition: Passivé | Client: | |