

SPECIFICATIONS

ARTICLE

Designation : **Stainless steel hose holder medium model**

Code bobet : **70906**

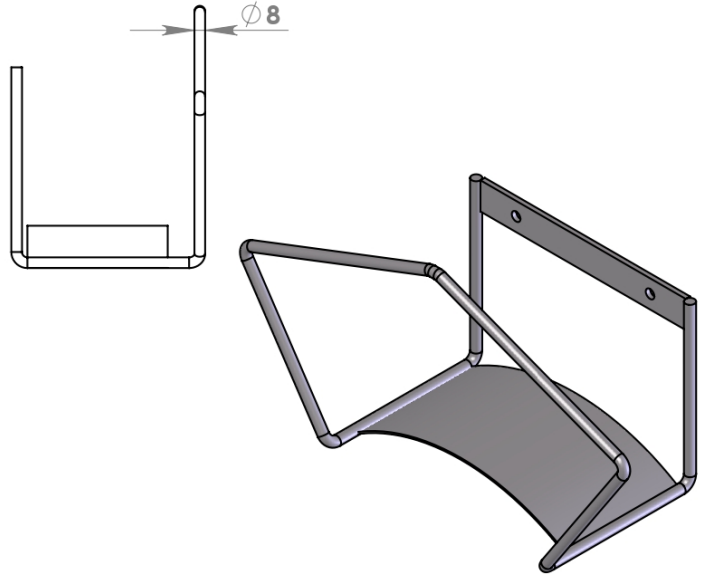
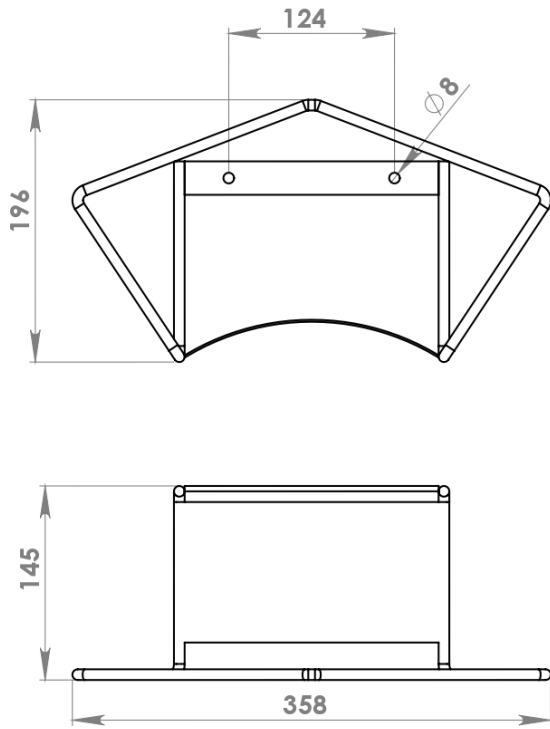
Selling Unit : **Unit**




Non-contractual pictures

CHARACTERISTICS

- Stainless steel AISI 1.4307(304)
- Wall mounted (center distance : 124 mm)
- Overall dimensions : Length 358 x Depth 145 x Height 196 mm
- Round diameter 8 mm
- Can hold around 25 meters of hose D.19
- Three other available models :
 - * Code 8491 (small model)
 - * Code 10000 (large model)
 - * Code 10525 (large model in stainless steel wire)



Ce document est la propriété exclusive de BOBET MATERIEL, il ne peut être reproduit sans autorisation écrite

BOBET <i>matériel</i> R.N. 23 " Le poteau" 72470 CHAMPAGNE Tél. 02.43.74.33.63 Fax: 02.43.74.33.76	Matière: Inox 1.4307 (304L)	Caractéristiques :	Nb.: 1	Affaire: 555
	Support tuyau inox Code article: 555			OF.:
 A4	Finition: Passivé	Client:	Indice:	Echelle: 1:4
	S:\BOBET MATERIEL\STANDARDS\Support tuyaux\555 Support tuyau medium		Date: 02/02/2021	Nom: DUTERTRE R
			Masse: 893.6773 g	