

SPECIFICATIONS

ARTICLE

Designation : **Stainless steel hose holder large model**

Code bobet : **10000**

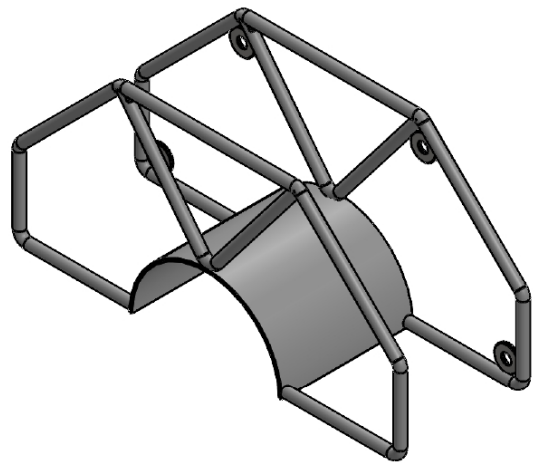
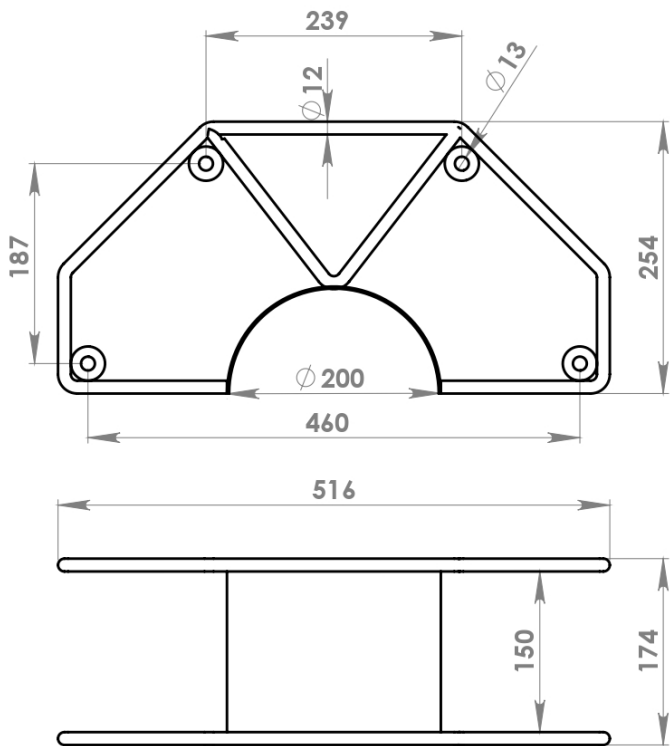
Selling Unit : **Unit**



CHARACTERISTICS

- Made of stainless steel AISI 1.4307 (304)
- Wall mounted (bottom center : 460 mm / top center : 239 mm)
- Overall dimensions : Length 516 x Depth 174 x Height 254 mm
- Can hold more than 25 meters of hose D.19
- Three other available models :
 - * Code 8491 (small model)
 - * Code 555 (medium model)
 - * Code 10525 (large model in stainless steel wire)

Wire diameter : 12 mm



Ce document est la propriété exclusive de BOBET MATERIEL, il ne peut être reproduit sans autorisation écrite

BOBET <i>matériel</i> R.N. 23 " Le poteau" 72470 CHAMPAGNE Tél. 02.43.74.33.63 Fax: 02.43.74.33.76	Matière: Inox 1.4307 (304L)	Caractéristiques :	Nb.: 1	Affaire: 10000
	Support tuyau GM Code article : 10000			OF.:
A4	Finition: Passivée	Client:	Indice:	Echelle: 1:5
	F:\PartageBETechno\BOBET MATERIEL\STANDARDS\Support tuyaux\10 000 Support tuyau GM		Date: 26/01/2021	Nom: HERMELINE S.