

# SPECIFICATIONS

## ARTICLE

Designation : **Dosing pump D25**

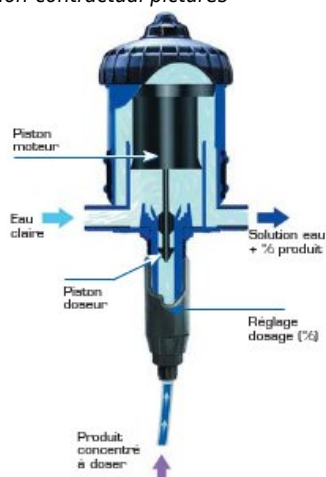
Code bobet :

**15954 : 0.2 - 2%**

**15955 : 1 - 5%**

Selling Unit : **Unit**

Non-contractual pictures



## DESCRIPTION :

DOSING PUMP D25 AF - Recommended dosing seals for alkaline concentrate

- Carter and cover in PVDF (very resistant plastic material in the fluoropolymer family)
- Dosing technique : Non-electric proportional
- Energy source : Water flow and pressure

Integrated functions:

- Metering : volumetric hydraulic motor
- Injecting : continuous proportional injection of liquid or soluble concentrate
- Regulating : proportionality servo-controlled by the water flow
- Mixing : integrated mixing

Package contents : 1 dosing pump D25, 1 wall bracket, 1 Suction tube 175 cm [69"], 1 manual of instruction

## PERFORMANCE :

- Injection range : 0.2 to 2 % (code 15954) OR 1 to 5%
- Water flow range : 10 l/h - 2.5 m<sup>3</sup>/h [0.16 l/mn - 41.66 l/mn]
- Working pressure : 0.3 - 6 bars
- Concentrated additive injection :
  - \*Code 15954 : 0.02 - 50 l/h
  - \*Code 15955 : 0.1 - 125 l/h

## WORKING PRINCIPLE :

Installed directly in the water supply line, the dosing pump operates by using the water flow as the power source.

The water activates the dosing pump, which takes up the required percentage of concentrate directly from the container and injects it into the water. Inside the dosing pump, the concentrate is mixed with the water, and the water pressure forces the solution downstream. The dose of concentrate will be directly proportional to the volume of water entering the dosing pump, regardless of variations in flow or pressure, which may occur in the main line.

#### PROPORTIONAL INJECTION EXTERNALLY ADJUSTABLE

The injection rate is set by lining up the top of the adjusting sleeve with the desired ratio on the scale. The amount of injected concentrate is proportional to the amount of water coming into the dosing pump.  
i.e. Adjustment at 1% = 1 :100 = 1 Volume of concentrate + 100 Volumes of water.

#### EXTERNAL ADJUSTMENT

Code Bobet 15954

- Dosing : 0.2 - 2%
- Pressure : 0.3 - 6 bars

Code Bobet 15955

- Dosing : 1 - 5%
- Pressure : 0.3 - 6 bars

#### **APPLICATION :**

Markets : Environment, Hygiene, Water treatment, Vehicle wash, Metal processing, Food processing, Graphic Arts, Horticulture, Livestock...

Principal applications : Medication, Disinfecting, Cleaning, Fertigation, Phytosanitation, Supplementation, Lubrication, PH/TH Correction, Sanitation, Flocculation, Vehicle washing...

#### **INSTALLATION :**

Regulations : Refer to local water regulations, before installing your dosing pump.

To optimize your dosing pump, we advise to :

- Install a filter (300 mesh [60 microns]) upstream, depending on your water quality.
- Change the dosing seals at least once a year.
- Rinse as often as possible with clear water.
- Turn off the water supply and allow the pressure to drop to zero before adjusting the injection rate.
- Install necessary protections for excess flow, excess pressure and water hammer (anti-hammer flow/pressure device).
- Install your dosing pump on a total by-pass line.

#### **STANDARDS :**

In compliance with machinery standards 2006/42 EC

Characteristics	Data
Maximum operating water temperature	40° C [104° F]
Minimum operating water temperature	5° C [41° F]
Dosing rate	i.e Adjustment at 1 % = 1:100 = 1 V concentrate + 100 V water
Average dosing accuracy	+/- 5 % (Charts on demand)

Characteristics	Data
Repeatability	+/- 3 % (API standard)
Pressure loss	0.3 - 1.9 Bar [4.3 - 27 PSI] depending on models and operating conditions
internal motor filter	no
Inlet / Outlet	3/4" M : BSP- NPT Ø 20 x 27 mm
Built-in by-pass	option
Built-in airbleeder	yes
Built-in anti-siphon device	no
Motor	differential hydraulic piston
Motor capacity	0.45 L [0.118 US gallons] (1 cycle, i.e. 2 clacs)
Mixing chamber	integrated
Injection	internal at the inlet
Dosing plunger	simple effect, injection on the upstream
Injection check valve	spring-loaded cone
Self-priming	yes
Maximum viscosity of concentrate	400 cPs at 20°C [68°F]- V kit recommended >200 cPs
Maximum vertical or horizontal suction of the concentrate	4 m [13ft]
Strainer	yes - foot strainer with weight

