

SPECIFICATIONS

ARTICLE

Designation : **Stainless steel casserole dish for 36 feet**

Code bobet : **11347**

Selling Unit : **Unit**

Non-contractual pictures

**CHARACTERISTICS**

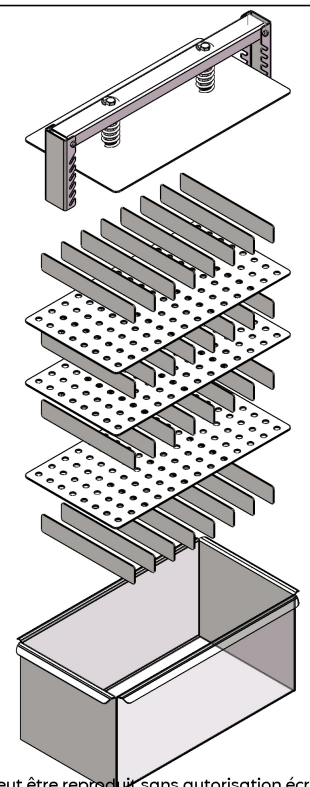
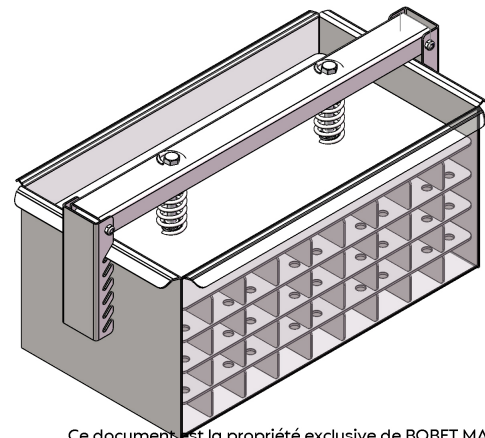
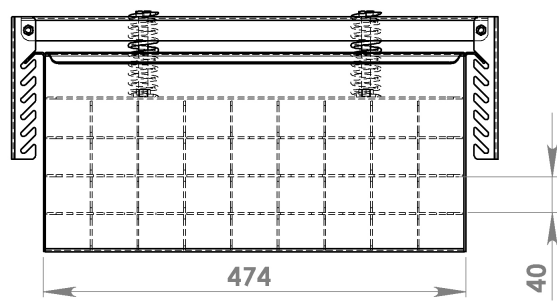
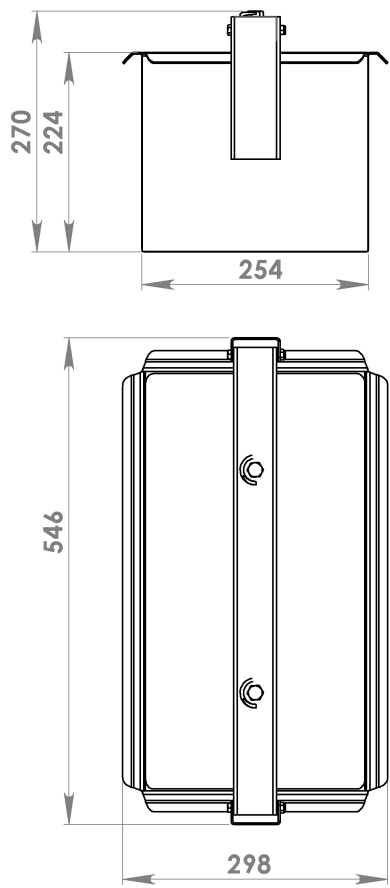
- In stainless steel NF EN 1.4307 (AISI 304L)
- Finish : passivated
- Removable compartments
- Dimensions :
 - * Overall length : 546 mm
 - * Overall width : 298 mm
 - * Height of the pan : 224 mm
- Used to cook stew, pork feet...

ALIMENTARITY :


In order to guarantee their longevity, our products are made of austenitic stainless steel (food contact), standard 1.4307 (304L).

The assembly of the elements is carried out in our workshops, under a protected atmosphere, according to the "T.I.G" welding process.





Ce document est la propriété exclusive de BOBET MATERIEL, il ne peut être reproduit sans autorisation écrite

BOBET matériel <small>Nous équipons les Industriels depuis 1978</small> <small>Le Poteau</small> <small>RN 23</small> <small>72470 CHAMPAGNE</small> <small>02 43 74 33 74</small>	Matière: Inox 1.4307 (304L)	Caractéristiques :	Nb.: 1	Affaire: 11347
	<h2>Daubière 36 pieds</h2>			OF.:
 A4	Finition: Passivé	Client:	Indice:	Echelle: 1:6
	S:\BOBET MATERIEL\STANDARDS\Daubière\11347 Daubière inox 36 pieds		Massé: 24,42 hg	Date: 30/01/2023