

SPECIFICATIONS

ARTICLE

Designation : **Balancer 6 to 8 kg**

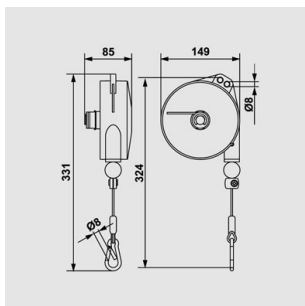
Code bobet : **17931**

Selling Unit : **Unit**



Non-contractual pictures

CHARACTERISTICS



The balancer is fit with a device enabling to stop the stroke by carrying out a simple operation on the load.

- Tough manufacture in ribbed aluminum alloy
- Stainless steel cable
- Adjustable capacity
- Auxiliary safety suspension
- Adjustable stroke stop
- Cable guide in antifriction material
- Inert spring-drum assembly
- Polyamide thimble

DIMENSIONS

- Capacity : 6 to 8 kg
- Cable length : 2 meters
- Weight : 2.5 kg

BENEFITS

The balancer enables to eliminate the operator's labour, to increase productivity by cutting down idle times, to improve the work quality, to reduce hoses and cables wear and to avoid eventual damages to both people and tools. It may be used for bench or assembly line works and it may be suitably applied to small tools, industrial suspended welders and multiple screw drivers.

Suitable for our EFA saw SK 18 WB (code 8862)

STANDARDS

In compliance with the 2006/42 CE machinery directive

Also complies with the following standards :

- EN ISO 12100 : 2010
- DIN 15112 : 1979

