

SPECIFICATIONS

ARTICLE

Designation : **Air-water pistol**

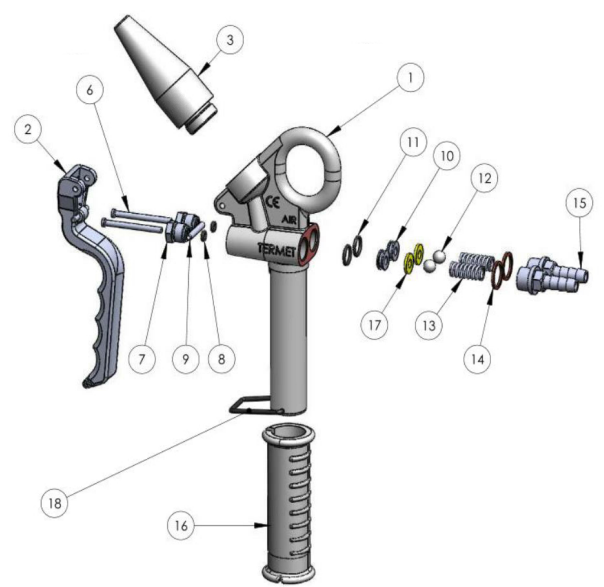
Code bobet : **17650**

Selling Unit : **Unit**

Non-contractual pictures



CHARACTERISTICS



- Optimizes washing by combining the action of air and water
- Consumes up to 50% less water than a traditional washing gun
- Very powerful spray output without any splash (unlike a "traditional" washing gun)
- Handle blocking system to release the pressure of the hand during long-term washing

SPARE PARTS :

- Code Bobet 9495: Gasket kit comprising 2 REP.8 O-rings, 2 REP.12 balls, 2 REP.14 copper seals and 2 REP.17 flat seals
- Code BOBET 15977: Set of seals including shaft 47 mm REP 6, Nut REP 7, Seal REP 8, Ball REP 12, Spring REP 13, Copper seal REP 14, Air/water connector REP 15, 2 transparent seals REP 17

DESCRIPTION :

- Aluminum body
- Recommended water pressure: 3 bars
- Air pressure: * Working pressure: 6 bars
* Maximum pressure: 10 bars

- Air consumption: 10 m³ / h Maxi
- Water consumption:
 - * When the air pressure is 0 bar, the water consumption is about 500 liters / hour
 - * When the air pressure is 5 bar, the water consumption is about 300 liters / hour
 - * When the air pressure is 10 bar, the water consumption is about 210 liters / hour
- Maximum water use temperature: 65 °C
- Connection diameter with the pipe: diameter 8 mm
- Weight: 650 grams (without fitting)

APPLICATION :

- In agro-food industries
- Boot cleaning
- Cleaning mesh gloves and work aprons
- Cleaning tools (knives, saws)
- Difficult to clean areas
- Cleaning of all machine surfaces

Rep. ()	Designation ()	Code Bobet ()
1	Body	T-688
2	Aluminum handle	T-691
3	Nozzle	1130
6	Push rod 47 mm	T-729
7	Nut	T-730
8	Seal	T-137
9	Hinge pin	T-729
10	Ring	T-732
11	Seal	T-142
12	Ball	T-733
13	Spring	T-118
14	Brass seal	repair kit
15	Air/water coupling	T-736
16	White cover D. 28 mm	17924
17	Transparent seal	T-138
18	Snap ring	17580